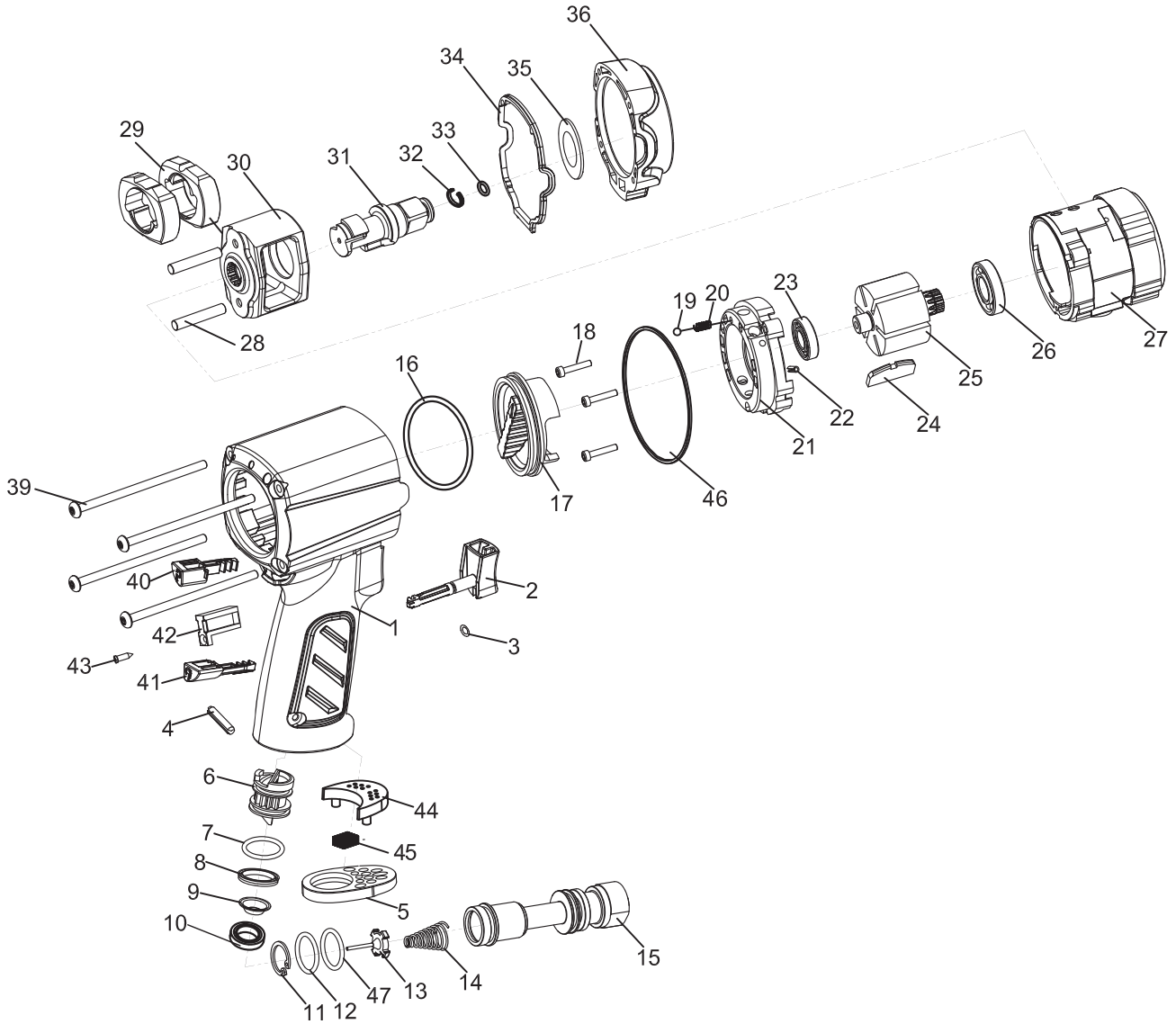


Technical Details	Speed	Square Drive	Max. Torque	Length	Weight	Air Consumption	Air Inlet	Noise (DB)	Uncertainty (DB)	Vibration	Working Pressure
	RPM		Nm/ft-lb	mm/inch	kg/lb	LPM / CFM	inch	LpA LwA	KpA KWA	m/s ²	Bar / PSI
24238	10000	1/2	816 (600)	114 (4.5)	1.1 (2.4)	136 (4.8)	1/4	84.6 95.6	3	7.48	6.2(90)



Index No.	Description	Quantity	Index No.	Description	Quantity	Index No.	Description	Quantity
01	Housing	1	16	O-Ring	1	31	Anvil	1
02	Trigger	1	17	Reverse Switch	1	32	Socket Retainer	1
03	O-Ring	1	18	Screw	3	33	O-Ring	1
04	Spring Pin	1	19	Steel Ball	1	34	Gasket	1
05	Exhaust Deflector	1	20	Spring	1	35	Washer	1
06	Reverse Switch	1	21	Rear End Plate	1	36	Front Cover	1
07	O-Ring	1	22	Spring Pin	1	39	Screw	4
08	Valve Seat	1	23	Ball Bearing	1	40	Reverse Lever-Left	1
09	Valve Seat	1	24	Rotor Blade	6	41	Reverse Lever-Right	1
10	Oil seal	1	25	Rotor	1	42	Safety Lever	1
11	Retainer Ring	1	26	Ball Bearing	1	43	Screw	1
12	O-Ring	2	27	Cylinder	1	44	Silencer block	1
13	Throttle Valve	1	28	Hammer Pin	2	45	Muffler Cover	1
14	Valve Spring	1	29	Hammer Pin	2	46	Gasket	1
15	Air Inlet Bushing	1	30	Hammer Cage	1	47	O-Ring	1