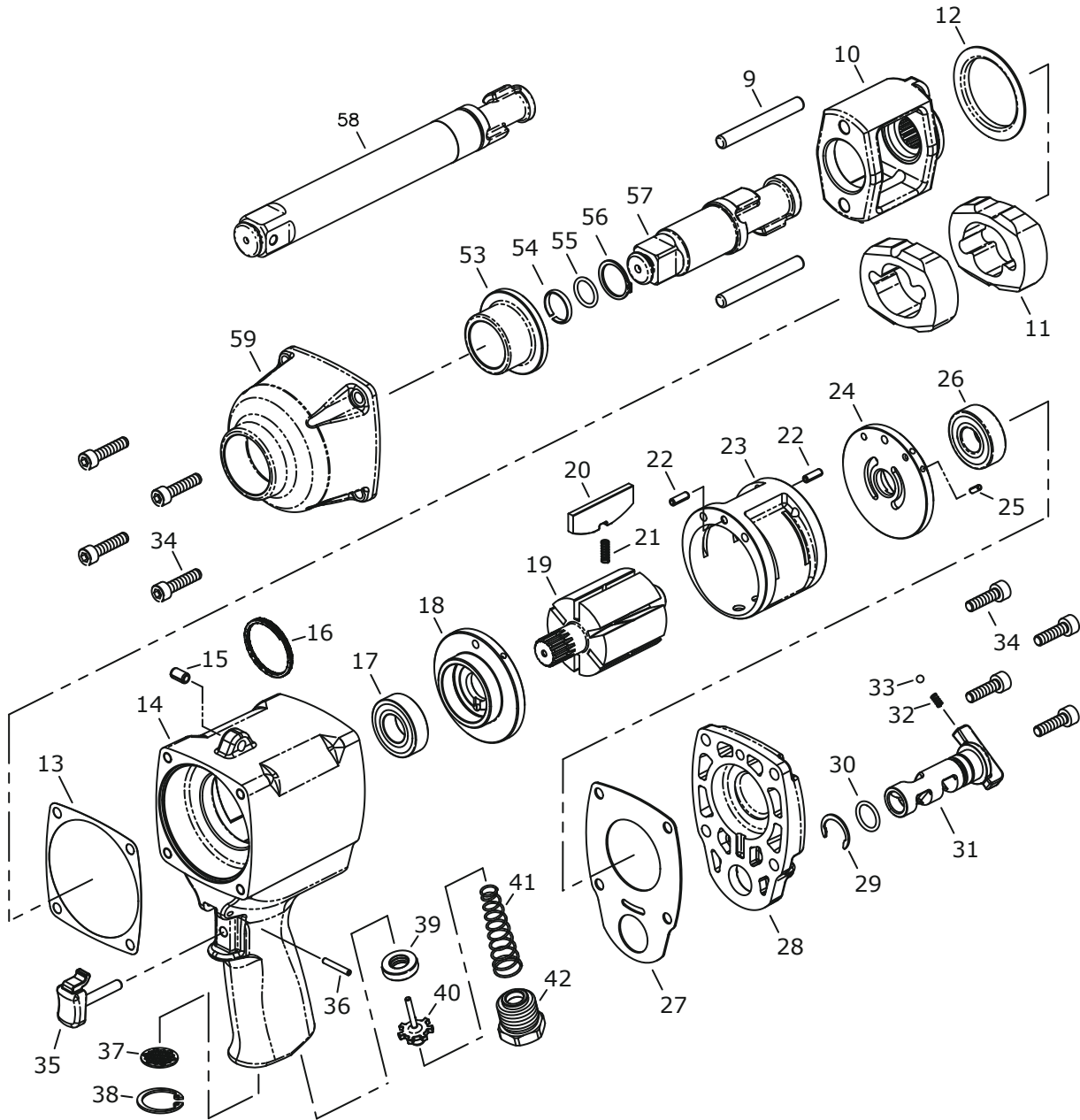


Technical Details	Speed	Square Drive	Max. Torque	Length	Weight	Air Consumption	Air Inlet	Noise (DB)	Uncertainty (DB)	Vibration	Working Pressure
	RPM		Nm/ft-lb	mm/inch	kg/lb	LPM / CFM	inch	LpA LwA	KpA KwA	m/s <sup>2</sup>	Bar / PSI
<b>28208</b>	7,500	1	2,032 (1,500)	213 (8.39)	4.2 (9.24)	119 (4.2)	3/8	--	--	--	6.3(90)
<b>28208L</b>			1,761 (1,300)	366 (14.4)	5.0 (11.0)						



Index No.	Description	Quantity	Index No.	Description	Quantity	Index No.	Description	Quantity
9	Hammer Pin	2	23	Cylinder	1	37	Muffle Cover	1
10	Hammer Cage	1	24	Rear End Plate	1	38	Snap Ring	1
11	Hammer Dog	2	25	Spring Pin	1	39	Throttle Bushing	1
12	Hammer Washer	1	26	Ball Bearing	1	40	Valve Stem	1
13	Gasket	1	27	Gasket	1	41	Spring	1
14	Motor Housing	1	28	Housing Cap	1	42	House Fitting	1
15	Spring Pin	1	29	Retaining Ring	1	53	Anvil Bushing (1")	1
16	Hanger	1	30	O-Ring	1	54	Socket Retainer	1
17	Ball Bearing	1	31	Reverse Valve	1	55	O-Ring	1
18	Front End Plate	1	32	Spring	1	56	Retaining Ring	1
19	Rotor	1	33	Steel Ball	1	57	Anvil (1")	1
20	Rotor Blade	6	34	Screw	8	58	Anvil (1" x 6" Extended)	1
21	Spring	6	35	Trigger	1	59	Clutch Housing (Aluminum)	1
22	Spring Pin	2	36	Spring Pin	1			