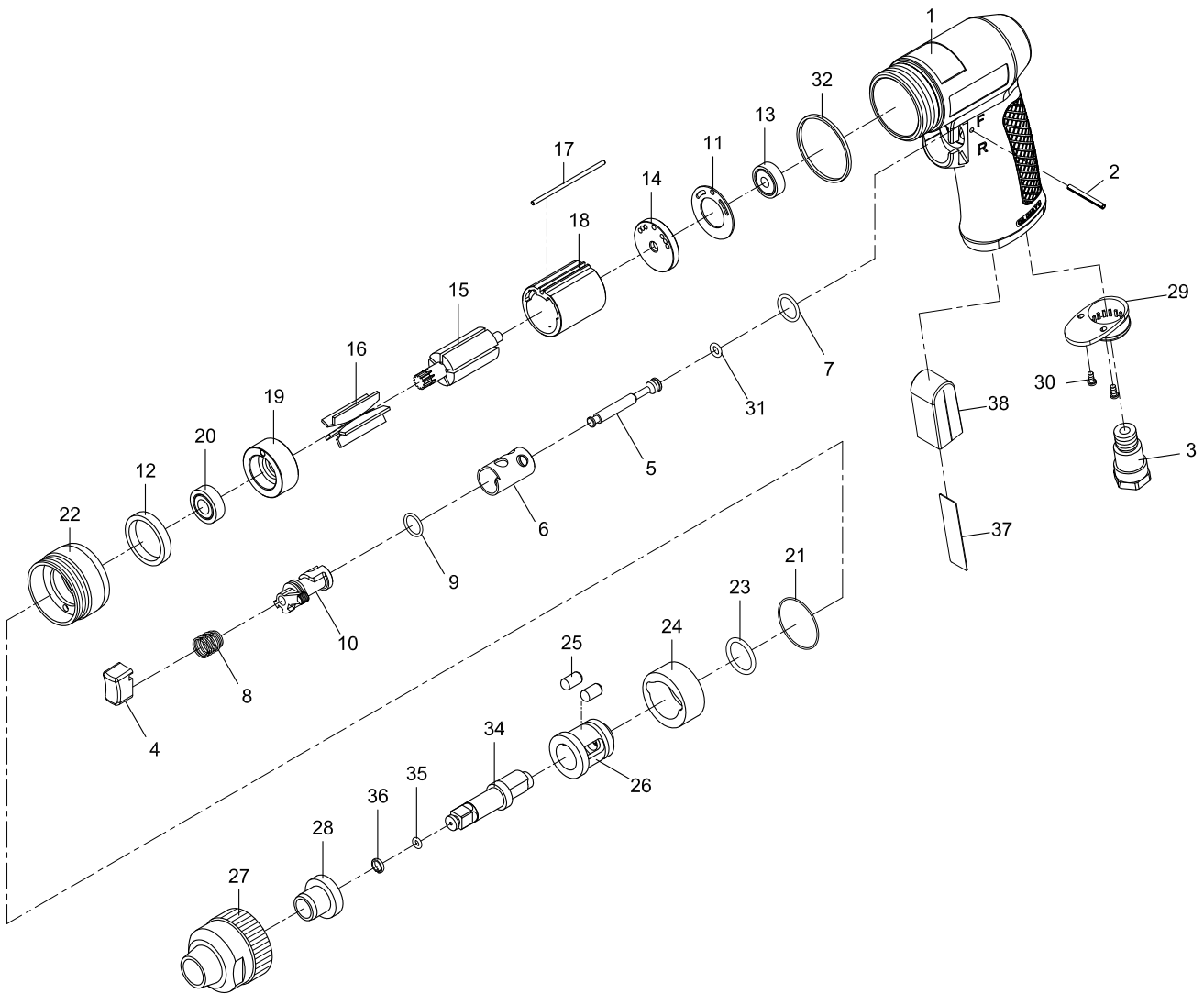


# 3/8" PROFESSIONAL IMPACT WRENCH



Index No.	Parts No.	Description	Index No.	Parts No.	Description
1	48-750001	Motor Housing	20	070130	Ball Bearing (77R6zz)
2	80202	Spring Pin (∅2.5x24L)	21	OR03200100	O-Ring (∅32x∅1)
3	75-725303	Air Inlet	22	40-725328	Clamp Nut
4	795804	Trigger	23	OR01872262	O-Ring (∅18.72x∅2.62)
5	80205-12	Valve Stem	24	40-725311	Hammer
6	80206	Valve Bushing	25	40-725317	Hammer Pin (2)
7	80247	O-Ring (∅13.8x∅2)	26	40-725308	Hammer Cage
8	75-730008	Valve Spring	27	40-725332	Hammer Case
9	80209	O-Ring (∅12x∅1.6)	28	40-725325	Anvil Bushing
10	80210	Reverse Lever	29	70110	Exhaust Diffuser
11	80211	Motor Gasket	30	40309	Screw (2) (TS2.9)
12	40-725327	Washer	31	70107	O-Ring (∅4.8x∅1.9)
13	030113	Ball Bearing (626zz)	32	75-725351	Decoration Ring
14	75-725314	Rear End Plate	34	41-725302	Anvil (3/8")
15	40-725315	Rotor	35	OR00307108	O-Ring (∅3.68x∅1.78)
16	80216	Rotor Blade (5)	36	40103	Retaining Ring
17	48-830017	Pin	37	75-750007	Iron Sheet
18	48-830018	Cylinder	38	75-750020	Dampening Material
19	40-725319	Front End Plate			