

fubag

Электростанция бензиновая
Power station

Operator's Manual
Инструкция по эксплуатации

BS 2200

BS 3300

BS 3300 ES



www.fubag.ru

**WARNING! BEFORE USING THE MACHINE READ THE INSTRUCTION MANUAL CAREFULLY!**

Our generators FUBAG are designed to give safe and dependable service if operated according to instructions.

Read and understand the manual before operating the generator FUBAG. Failure to do so could result in personal injury or equipment damage.

1. General safety

! WARNING!

Exhaust gas contains poisonous carbon monoxide.

Never run the generator in an enclosed area. Be sure to provide adequate ventilation. When installed in ventilated protection are to be observed.

! WARNING!

The muffler becomes very hot during operation and remains hot for a while after stopping the engine.

Be careful not to touch the muffler while it is hot. Let the engine cool before storing the generator indoors. The engine exhaust system will be heated during operation and remain hot immediately after stopping the engine.

To prevent scalding, pay attention to the warning marks attached to the generator.

! WARNING!

Gasoline is extremely flammable and explosive under certain conditions. Refuel in a well ventilated area with the engine stopped.

Keep away from cigarette, smoke and sparks when refueling the generator. Always refuel in a well-ventilated location.

Wipe up spilled gasoline at once.

! WARNING!

Connections for standby power to a building's electrical system must be made by a qualified electrician and must comply with all applicable laws and electrical codes. Improper connections can allow electrical current from the generator to back feed into the utility lines. Such back feed may electrocute utility company workers or others who contact the lines during a power outage, and when utility power is restored, the generator may explode, burn or cause fires in the building's electrical system.



- Always make a pre-operation inspection before you start the engine. You may prevent an accident or equipment damage.
- Place the generator at least 5m away from buildings or other equipment during operation.
- Operate the generator on a level surface. If the generator is tilted, fuel spillage may result.
- Know how to stop the generator quickly and understand operation of all the controls. Never permit anyone to operate the generator without proper instructions.
- Keep children and pets away from the generator when it is in operation.
- Keep away from rotating parts while the generator is running.
- The generator is a potential source of electrical shocks when misused; do not operate with wet hands.
- Do not operate the generator in rain or snow and do not let it get wet.
- The power generator is a mains replacement that generates electrical power for supply to a mobile distribution system.
- The power generator must be operated outdoors within the prescribed voltage, output and rated speed limits (see type plate).
- The power generator must not be connected to other electrical supply systems or electric generation systems (e.g. other power generators).
- The power generator may not be used in environments where there is a risk of explosion.
- The power generator may not be used in environments where there is a risk of fire.
- The power generator must be operated in accordance with the conditions set out in the technical documentation.
- All improper use of the power generator including all uses not described in these instructions will constitute unauthorized incorrect usage for which the manufacturer is not legally liable.
- Operation in environments where there is a risk of explosion and fire.
- Operation in enclosed areas and under direct exposure to rain or snowfall.
- Operation without the requisite safety precautions and connected to existing supply network systems.
- Spraying with high-pressure cleaners or fire extinguishing equipment.
- Non-compliance with regular servicing requirements.
- Failure to carry out measurements and checks for early detection of defects.
- Know and apply the Prevention of Injury regulations and the safety instructions for the power generator.
- Understand and be able to practically implement the technical documentation.
- The operator must know the functions of, and be able to use, the components of the power generator.
- The operator must wear the appropriate personal safety equipment.
- The labelling on the electrical generator must be complete and maintained in a readable condition.
- Constructive changes may not be carried out on the electrical generator.
- The rated speed of the motor has been set during manufacture and may not be changed.
- The operating safety and correct functioning must be checked before and after each use.
- No naked flames, lights or spark-emitting appliances may be used within the hazard area of the power generator.
- Smoking within the hazard area of the power generator is strictly forbidden.
- During operation, the power generator must be protected from dirt and foreign matter.
- The power generator may only be transported when cold.
- The power generator may only be lifted using the carry handles intended for this purpose.
- The electrical safety must be checked before each operational use.
- The appliance may not be covered. The air intake may not be blocked or obstructed.
- When starting, the load may not be connected.
- Only certified and approved cables may be used for the wired network.
- The power drawn may not exceed the maximum rated power.

- The power generator may not be operated without the sound absorber.
- The power generator may not be operated without the air filter or with the air filter cover open.
- The generator's tank may not be refilled during operating.
- The tank may not be refilled when the power generator is hot.
- The power generator may not be cleaned and serviced when in operation; when hot.
- Always remove spark plug connector prior to commencing servicing and repair work.
- The power generator must be shut down when not required for periods longer than 30 days.
- The power generator must be stored in a dry enclosed room.

2. Safety symbols



1. Precautions that involve your safety.



2. Start and run the generator outdoors. Do not run the generator in an enclosed area, even if doors or windows are open.



3. To reduce the risk of serious injury, avoid attempting to touch the hot surface.



4. Units should not be operated or stored in wet or damp conditions or on highly conductive locations such as metal decking and steel work.



5. Could not use under the rain.



6. Fuel and its vapors are extremely flammable and explosive. Fire or explosion can cause severe burns or death.



7. Ear protection.



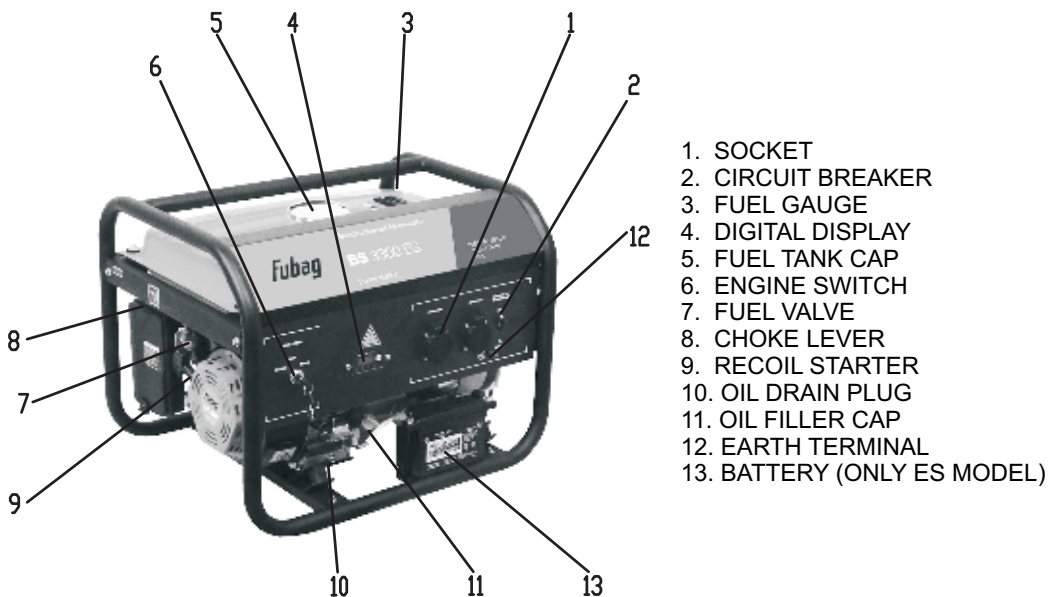
8. Read carefully and understand operator manual prior to operation of this product. Follow all warnings and instructions.

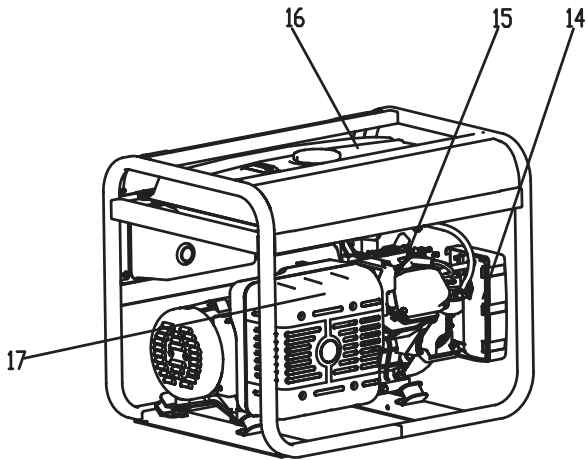
3. Specifications

Model	BS 2200	BS 3300	BS 3300 ES
Generator type	Synchro		
Rated frequency/ IP	50 Hz / IP 23	50 Hz / IP 23	
Rated voltage	230 V 1~	230 V 1~	
Max. output	2,2 kVA	3,3 kVA	
Rated output	2,0 kW	3,0 kW	
Cos φ	1		
Motor type	1-cylinder, 4-stroke, air-cooled		
Starter	recoil starter	electric starter	
Motor power	5,8 hp		
Tank capacity	15 l		
Noise level	97dB(A)		
Relative humidity	0-75%		
Dimension, LxWxH	600x450x460 mm		
Weight	42 kg	49 kg	51 kg

The manufacturer reserves himself the right to make the manual's content or power generator function change without any preliminary notification of the users.

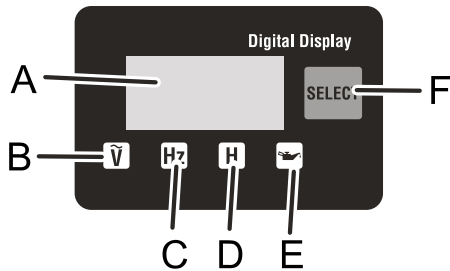
4. Description





- 14. AIR CLEANER
- 15. SPARKPLUG
- 16. FUEL TANK
- 17. MUFFLER

DIGITAL DISPLAY

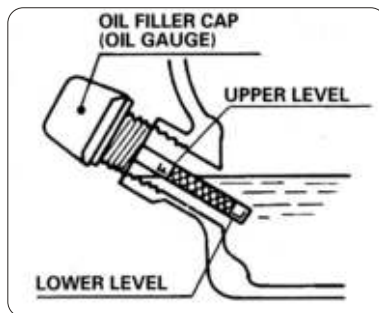


- A - Digital display
- B - AC voltage indicator
- C - Frequency indicator
- D - Hour indicator
- E - Low lubricant alert
- F - Select button

5. Pre-Operation checks

Check engine oil

- Before checking or refilling oil, be sure the generator is put on a stable and level surface with engine stopped.
- Remove oil filler cap and check the engine oil level.
- If oil level is below the lower level line, refill with suitable oil (see table below) to upper level line. Do not screw in the oil filler cap when checking oil level.
- Change oil if contaminated.



Single grade	5W	-20	-10	0	10	20	30	40°C
	10W	-15	-5	0	10	20	30	40°C
	20W	-5	0	10	20	30	40°C	
	#20	0	10	20	30	40°C		
	#30	10	20	30	40°C			
	#40	20	30	40°C				
Multi grade	10W-30	-15	-5	0	10	20	30	40°C
	10W-40	-15	-5	0	10	20	30	40°C
Ambient temperature		-20	-10	0	10	20	30	40°C

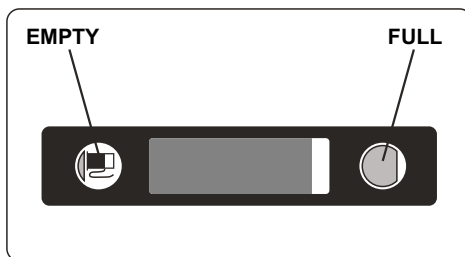
Check engine fuel

WARNING!

- Do not refuel while smoking or near open flame or other such potential fire hazards. Otherwise fire accident may occur.
- Close fuel cock before refueling with fuel.
- Do not refill tank while engine is running or hot.
- Be careful not to admit dust, dirt, water or other foreign objects into fuel.
- Wipe off spilt fuel thoroughly before starting engine.
- Keep open flames away.



- Check fuel level at fuel gauge.
- If fuel level is low, refill with unleaded automotive gasoline.
- Be sure to use the fuel filter screen on the fuel filter neck.



Fuel tank capacity 15l.

Checking components

Check following items before starting engine:

- fuel leakage from fuel hose.
- bolts and nuts for looseness.
- components for damage or breakage.

Checking generator surroundings

WARNING!

Make sure you review each warning in order to prevent fire hazard.

- Keep area clear of inflammables or other hazardous materials.
- Keep generator at least 3 feet (1 meter) away from buildings or other structures.
- Only operate generator in a dry, well ventilated area. Keep exhaust pipe clear of foreign objects.
- Keep generator away from open flame.
- Keep generator on a stable and level surface.
- Do not block generator air vents with paper or other material.

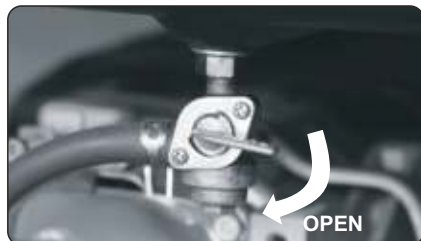
6. Operating procedures

Starting

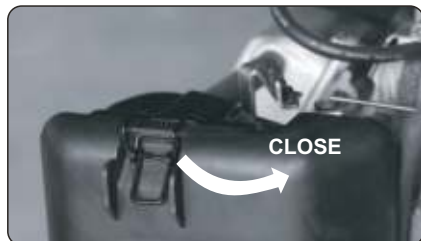
(a) Set the engine switch to "ON" position.



(b) Open the fuel cock.



(c) Set the choke lever to "CLOSE" (arrow mark). Not necessary if the engine is warm.



(d) Pull the starter handle slowly until resistance is felt. This is the "Compression" point. Return the handle to its original position and pull swiftly.

Do not fully pull out the rope. After starting, allow the starter return to its original position while still holding the handle. If the engine fails to start after several attempts, repeat above procedures with choke lever returned "OPEN" position.



(e) After the engine started, return the choke lever gradually to "OPEN" position.



(f) Warm up the engine without load for a few minutes.

Using electric power

(a) Check the digital display for proper voltage. This generator is thoroughly tested and adjusted in the factory.

If the generator does not produce the specified voltage, consult your nearest FUBAG generator dealer.

(b) Turn off the switch(es) of the electrical appliance(s) before connecting to the generator.

(c) Insert the plug(s) of the electrical appliance(s) into the receptacle.

WARNING:

- Be sure to ground the generator if the connected electrical equipment is grounded.

NOTE:

- When the circuit breaker or no-fuse breaker turns off during operation, the generator is overloaded or the appliance is defective.

- Stop the generator immediately, check the appliance and /or generator for overloading or defect and repair as necessary.

(d) Check the AC CIRCUIT BREAKER is "ON". If the breaker is "OFF", set the breaker "ON".



Stoppin the generator

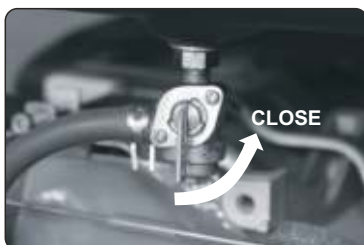
(a) Turn off the power switch of the electric equipment or unplug the cord from receptacle of the generator.

(b) Allow the engine about 3 minutes to cool down at no-load before stopping.



(c) Set the engine switch to "OFF" position.

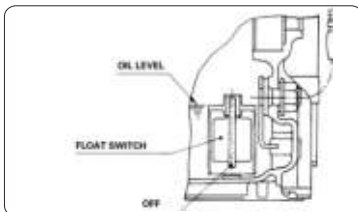
(d) Close (stop) the fuel cock.



Oil sensor

- the oil sensor detects the fall in oil in the crankcase and automatically stops the engine when the oil level falls down below the safety limit.

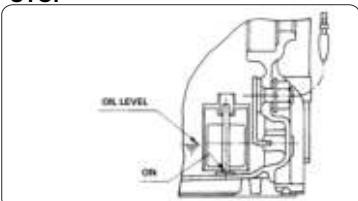
RUN



- when engine has stopped automatically, check the oil level.

- if the engine does not start by usual starting procedures, check the oil level.

STOP



Preparation and maintenance in winter time

Maintenance in winter time is considered to be the period when the temperature of the ambient air is fixed below +5°C. The low temperature of the ambient air hampers the engine start, negatively influences the operation of all its systems. To prepare the generator and provide its further no-failure operation it is necessary to make the following steps:

- Use up all the old fuel completely, discharge the remaining one.
- Clean the filter of the fuel valve.
- Check the air filter. Change it if necessary.
- Substitute the engine oil for the oil corresponding to the season.
- Fill the fuel tank with the fuel to avoid ingress of water and its further freezing in the fuel tank and the carburetor.

The generator is to be kept in a place at the temperature from +5°C and above in winter time. If the engine stops for more than 15 minutes during the operation at negative temperatures it is necessary to place the set into a warm place to prevent the condensate freezing in the breather pipe and the throttle before its start. It may cause the pressure boost in the crankcase housing and the gaskets break down. The monitoring of the set operation is to be carried out oftener than under usual operating conditions as they are considered to be rough.

7. Maintenance

Maintenance schedule

Service plan	Service work
Daily	<ul style="list-style-type: none"> - check the air cleaner - check oil level and refill to the upper level before starting the engine. - check all the points indicated in "PRE-OPERATION CHECKS".
50 hours (Weekly)	<ul style="list-style-type: none"> - clean and wash air-cleaner element. More often if used in dirty or dusty environments. - change engine oil.(The initial oil change must be conducted after the 25 hours operation.) - check spark plug, and clean and adjust if necessary. - check and clean the fuel shut-off valve.
100 hours	<ul style="list-style-type: none"> - replace spark plug - replace air-cleaner element - decarbonize cylinder head, valves and piston - check and replace carbon brushes
300 hours or every year	<ul style="list-style-type: none"> - inspect control panel components - check rotor and stator
3 years	<ul style="list-style-type: none"> - replace engine mount rubber - overhaul engine - change fuel lines

Note:

Initial oil change should be performed after first 25 hours of use. Thereafter change oil every 50 hours. Before changing oil, check for a suitable way to dispose of the old oil. Do not pour it down into sewage drains, onto garden soil or into open streams. Your local zoning environmental regulations will give you more detailed instructions on proper disposal.

Items marked with a bold font required advanced skill and tools, so they should be done by the distributor.

Servicing work

Servicing work should only be carried out by personnel qualified for this purpose. All the works listed in the service plan are to be carried out in accordance with the operating and service instructions for the motor. We recommend that these works be carried out by an authorized service station.

Checking electrical safety

The electrical safety may only be checked by personnel authorised for this task.

Engine oil change

Change engine oil every 50 hours.
(for a new engine, change oil after 25 hour.)

(a) Drain oil by removing the drain plug and the oil filler cap while the engine is warm. Please use a container to load the used oil for protecting environment.



(b) Reinstall the drain plug and fill the engine with oil until it reaches the upper level on the oil filler cap.



Use fresh and high quality lubricating oil to the specified quantity.

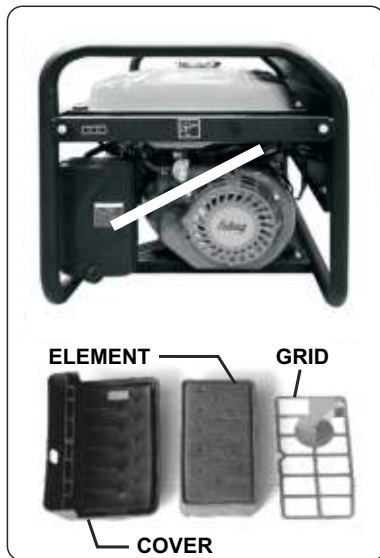
If contaminated or deteriorated oil is used or the quantity of the engine oil is not sufficient, the engine damage will result and its life will be greatly shortened.

Servicing air cleaner

Maintaining an air cleaner in proper condition is very important. Dirt induced through improperly installed, improperly serviced, or inadequate elements damages and wears out engines.

Keep the element always clean.

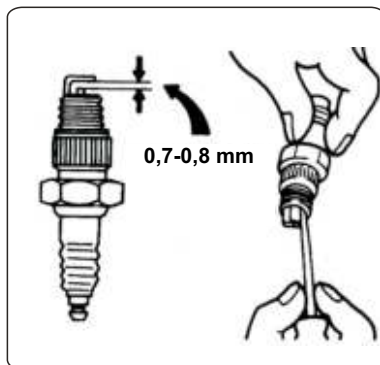
- (a) Take out the air cleaner, clean it well in kerosene and dry it.
- (b) After wetting the element by clean engine oil squeeze it tight by hand.
- (c) Lastly, put the element in the case and install it securely.



Cleaning and adjusting spark plug

(a) If the plug is contaminated with carbon, using a plug cleaner and wire brush.

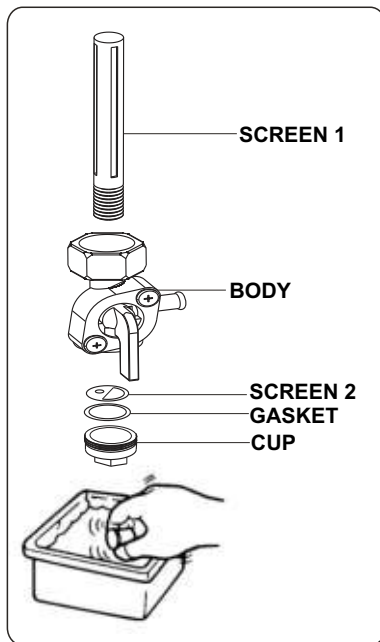
(b) Adjust the electrode gap to 0,7-0,8 mm.



Cleaning fuel strainer

Dirt and water in the fuel are removed by the fuel strainer.

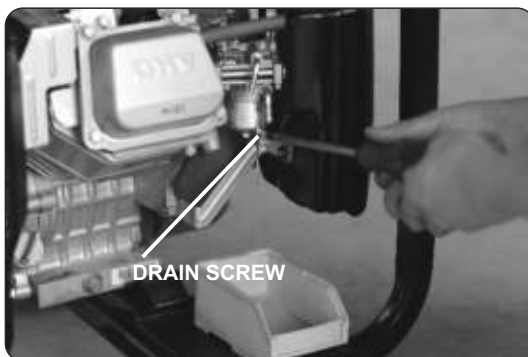
- (a) Remove the strainer cup and throw away water and dirt.
- (b) Clean the screens and strainer cup with gasoline.
- (c) Tightly fasten the cup to main body, making sure to avoid fuel leak.



8. Preparation for storage

The following procedures should be followed prior to storage of your generator for periods of 3 months or longer:

- Drain fuel from fuel tank carefully. Gasoline left in the fuel tank will eventually deteriorate making engine-starting difficult.
- Loosen the drain screw on the bottom of the carburetor float chamber, and drain the fuel completely.
- Change engine oil.
- Check for loose bolts and screws, tighten them if necessary.
- Clean generator thoroughly with oiled cloth. Spray with preservative if available.
- Pull starter handle until resistance is felt, leaving handle in that position.
- Store generator in a well ventilated, low humidity area.



9. Trouble Shooting

When generator engine fails to start after several attempts, or if no electricity is available at the output socket, check the following chart. If your generator still fails to start or generate electricity, contact your nearest FUBAG Generator dealer for further information or corrective procedures.

When Engine Fails to Start	
Check if choke lever is in its proper position	Set the choke lever to "CLOSE" position
Check if fuel cock is open	If closed, open fuel cock
Check fuel level	If empty, refill fuel tank making sure not to overfill
Check to make sure generator is not connected to an appliance	If connected, turn off the power switch on the connected appliance and unplug
Check spark plug for loose spark plug cap	If loose, push spark plug cap back into place
When No Electricity Is Generated at Receptacle	
Check to make sure no-fuse breaker is in the ON Position.	After making sure that the total wattage of the electrical appliance is within permissible limits and there are no defects in the appliance, turn the circuit breaker to the "ON" position. If breaker, continue to actuate, consult your nearest servicing dealer.
Check AC terminals for loose connections.	Secure connections if necessary.
Check to see if engine starting was attempted with appliances already connected to generator.	Turn off switch on the appliance and disconnect cable from receptacle. Reconnect after generator has been started properly.

10. Warranty

Warranty refer to defects of materials and components and do not refer to components subject to natural wear and maintenance work.

Only machines cleaned from dust and dirt in original factory packing fully completed, provided with instruction manual, warranty card with fixed sales date with a shop stamp factory serial number and originals of sales and ware receipt issued by salesman are subjects of warranty. Within the warranty period the service center eliminate free of charge all detected production defects. The manufacturer disclaims warranty and legal responsibilities if nonobservance of the instruction manual by user, unqualified disassembling repair or maintenance of the machine as well does not bear responsibility for caused injury to persons or damages.

The beginning of the warranty period is defined by the cashier's check or purchase receipt, received at the purchase. Please keep these documents safe.

The warranty obligations do not include cases of replacing components subject to natural wear, cases of nonobservance of the manual instructions and damages caused by unskilled handling, connection, maintenance, or installation, as well as damages caused by external factors.

Replaced power generators and their parts pass into the ownership of the seller.

No claims for loss indemnity are accepted unless they are caused either by deliberate acts or negligence of the manufacturer. The right for the warranty repair cannot be a ground for other claims.

Power generator shall not be a subject for warranty maintenance in the following cases:

- Opening (attempt of opening) or repair of the generator by user or other unauthorized persons.
- Receipt of the power generator in disassembled condition.
- Nonobservance of requirements and rules of the instruction manual for power generator and engine (for instance, use of oil and/or fuel of inadequate quality; the definitive signs of such defect include sticking/folding of the piston ring).
- Tempered seal on the motor speed governor.
- Use of accessories not specified by FUBAG.
- Any changes or modifications of the power generator or its components that are not authorized by FUBAG in written.
- Presence of foreign materials inside the generator and motor.
- Ventilation outlets of generator and/or motor are stuffed with dirt (for instance, due to installation indoors without sufficient ventilation and/or discharge of exhaust gases to the outside).
- Dirty cooling ribs of radiator and/or motor.
- Signs of blocking and overload (for instance, simultaneous burnout of rotor and generator stator, all stator windings, suction of abrasive materials inside the motor, insufficient motor lubrication, motor overheat, excessive motor speed, use of lubrication oil of inadequate quality; nonobservance of oil change intervals and so on).
- Damage of the power generator due to improper transportation and/or storage, mechanical damages of the power generator frame and/or motor.
- Existence of corrosion, chemical impact traces on the surface or on the inside of the power generator components.
- Unintended use of the power generator (for instance, use of the household purpose models in production or for other purposes connected with deriving of profit).
- Incorrectly filled in or manipulated warranty card.

Warranty obligations do not include incompleteness of the unit, that could have been discovered at the point of sale.

No claims from the third parties are accepted. Power generators are accepted for warranty repairs only in a clean state.

Warranty terms do not stipulate generator cleaning up.

**ВНИМАНИЕ! ПЕРЕД ИСПОЛЬЗОВАНИЕМ ЭЛЕКТРОСТАНЦИИ ВНИМАТЕЛЬНО ОЗНАКОМЬТЕСЬ С ДАННОЙ ИНСТРУКЦИЕЙ.**

К использованию и обслуживанию электростанции допускается только квалифицированный и специально обученный персонал, ознакомленный с данной инструкцией.

В этой инструкции содержится описание, правила безопасности и вся необходимая информация для правильной эксплуатации электростанции FUBAG. Сохраняйте данную инструкцию и обращайтесь к ней при возникновении вопросов по безопасной эксплуатации, обслуживанию, хранению и транспортировке электростанции FUBAG.

1. Правила безопасности



Выхлопы содержат вредный угарный газ. Никогда не эксплуатируйте электростанцию в закрытом помещении. Перед включением убедитесь, что обеспечена хорошая вентиляция. При установке в хорошо проветриваемых зонах обращайте внимание на обеспечение безопасности.



При работе электростанции глушитель становится очень горячим и остывает некоторое время после ее выключения. Будьте внимательны и не дотрагивайтесь до глушителя, пока он горячий. Дайте двигателю остыть до того, как поставить его на хранение в помещение.

Выхлопная система двигателя будет нагреваться при работе и останется горячей некоторое время после выключения двигателя.

Для предотвращения ожогов обращайте внимание на предупредительные наклейки на электростанции.



Бензин является легко воспламеняемым и взрывчатым веществом. Осуществляйте заправку электростанции топливом только в хорошо проветриваемых зонах при выключенном и остывшем двигателе. Поблизости не должно быть курящих, источника искр и дыма. Всегда заправляйте электростанцию в хорошо проветриваемом месте. Пролитый бензин необходимо сразу удалить.



Подсоединение электростанции к электросистеме должно осуществляться только квалифицированным электриком и должно соответствовать всем электротехническим правилам и нормам. Неправильное подсоединение к системе может стать причиной выхода из строя электрогенератора, неисправности электросети и подключенных к ней электроприборов, а также привести к поражению электричеством людей.



- Всегда проводите предэксплуатационный осмотр электростанции до запуска двигателя. Вы можете предотвратить аварию или повреждение оборудования.

- При работе размещайте электростанцию на расстоянии не менее 5 м от зданий/стен или другого оборудования.
- Во время работы электростанция должна стоять на горизонтальной поверхности.
- Внимательно изучите и запомните параграфы инструкции, касающиеся остановки электростанции, и органов управления. Не допускайте к работе с электростанцией лиц, не ознакомившихся с инструкцией.
- Не допускайте к работающей электростанции детей и домашних животных.
- Электростанция является источником электротока и при неправильной эксплуатации может стать причиной поражения электрическим током. Не осуществляйте эксплуатацию электростанции мокрыми руками и при большой влажности.
- Не эксплуатируйте электростанцию в дождь или снег и не допускайте попадания на нее влаги.
- Лицам, работающим с электростанцией, необходимо знать его устройство, функции его элементов и уметь их использовать.
- Работающие с электростанцией несут ответственность за безопасность его эксплуатации.
- Работающие с электростанцией несут ответственность за то, чтобы к нему не допускались лица, не имеющие соответствующей квалификации.
- Работающие с электростанцией обязаны использовать защитное снаряжение.
- На корпусе электростанции должны присутствовать и быть легко читаемыми все обозначения.
- Любые изменения конструкции электростанции запрещаются. Запрещается изменять частоту вращения двигателя, установленную заводом-производителем.
- Перед каждым запуском и после него следует проверять безопасность и исправность прибора.
- Электростанцию можно использовать только вне закрытых помещений.
- Вблизи электростанции необходимо остерегаться открытого огня и искр. Курение вблизи электростанции строго запрещается.
- Электростанцию необходимо защищать от попадания в нее грязи и инородных предметов.
- Электростанцию разрешается транспортировать только в охлажденном состоянии.
- Электростанцию разрешается перевозить, только если она надёжно зафиксирована и не может опрокинуться.
- Перед каждым запуском необходимо проверить электробезопасность.
- Запрещается использовать средства для облегчения запуска.
- Подключать потребители электроэнергии можно только после запуска и прогрева двигателя.
- Необходимо использовать только качественные и исправные соединительные провода.
- Общая мощность подключаемых потребителей, по активной нагрузке, не должна превышать номинальной расчетной мощности электростанции. Общая мощность подключаемых потребителей, по индуктивной нагрузке, не должна превышать 0,5 от номинальной мощности электростанции.
- Запрещается использовать электростанцию без глушителя, воздушного фильтра или при открытой крышке воздушного фильтра
- Запрещается производить заправку электростанции во время работы. Запрещается производить заправку не остывшей электростанции. Используйте при заправке воронку.
- Запрещается производить чистку электростанции во время работы. Запрещается производить чистку ещё не остывшей электростанции.
- Запрещается обслуживать электростанцию во время работы. Запрещается обслуживать не остывшую электростанцию.

- Обслуживающему персоналу разрешается производить только те работы по обслуживанию электростанции, которые описаны в данном руководстве. Любые другие работы разрешается проводить только специалистам сервисной службы.
- Перед началом работ по обслуживанию и ремонту обязательно снимайте колпачок свечи зажигания.
- Соблюдайте интервалы технического обслуживания, указанные в руководстве.
- Консервируйте электростанцию, если им не пользуются более 30 дней.
- Храните электростанцию в сухом и закрытом помещении.

2. Знаки безопасности



1. Предупреждение об опасности



2. Эксплуатация электростанции только вне помещения. Не эксплуатируйте электростанцию в помещении даже если окна и двери открыты.



3. Не пытайтесь поднять электростанцию в одиночку.



4. Электростанции не должны эксплуатироваться или храниться при большой влажности или на токопроводящих поверхностях, таких как металлический настил.



5. Не использовать под дождем.



6. Бензин и его пары является легковоспламеняющимся и взрывчатым веществом.



7. Применяйте защитные наушники.



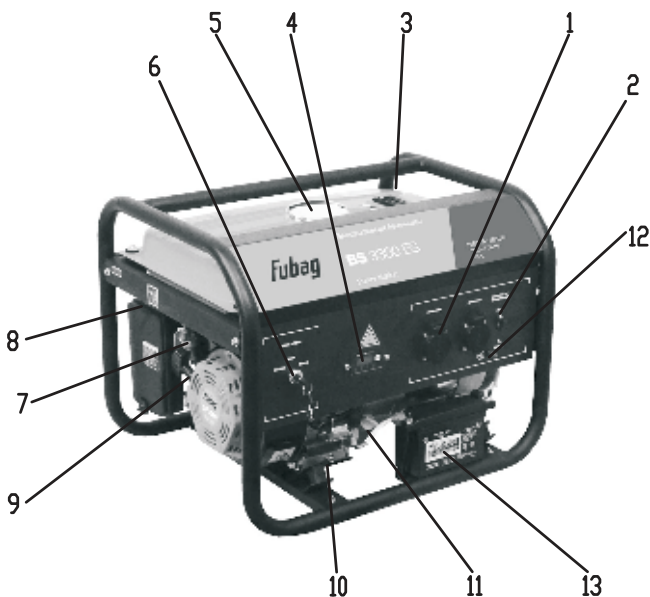
8. Внимательно прочитайте инструкцию перед эксплуатацией оборудования. Следуйте всем инструкциям и предупреждениям.

3. Технические характеристики

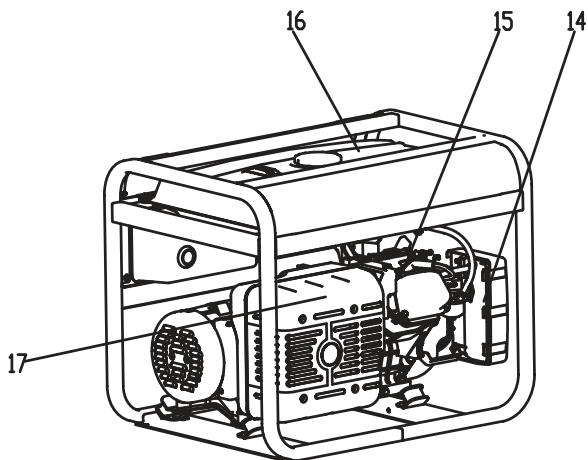
Модель	BS 2200	BS 3300	BS 3300 ES
Тип генератора	Синхронный		
Частота/ Защита	50 Гц / IP 23	50 Гц / IP 23	
Номинальное напряжение	230 В 1~	230 В 1~	
Пиковая нагрузка	2,2 кВА	3,3 кВА	
Постоянная нагрузка	2,0 кВт	3,0 кВт	
Cos φ	1		
Тип двигателя	1- цилиндровый, 4-тактный, воздушного охлаждения		
Система запуска	ручной стартер		электростартер
Мощность двигателя	5,8 л.с.		
Объём бака	15 л		
Звуковая мощность	97dB(A)		
Относительная влажность	0-75%		
Габариты, ДхШхВ	600х450х460 мм		
Вес	42 кг	49 кг	51 кг

Производитель имеет право вносить изменения, как в содержание данной инструкции, так и в конструкцию электростанции без предварительного уведомления пользователей.

4. Описание

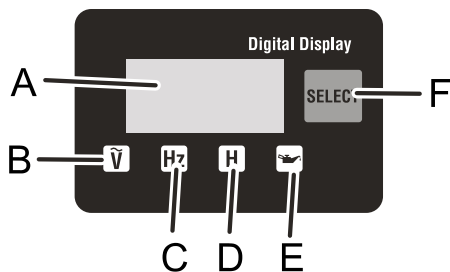


1. Розетка
2. Защитный выключатель
3. Указатель уровня топлива
4. Цифровой дисплей
5. Крышка топливного бака
6. Выключатель двигателя или ключ стартера (только у ES)
7. Топливный кран
8. Рычаг воздушной заслонки
9. Стартер
10. Слив масла
11. Крышка масляного бака
12. Клемма заземления
13. Аккумулятор (только у ES)



- 14. Воздушный фильтр
- 15. Свеча зажигания
- 16. Топливный бак
- 17. Глушитель

ЦИФРОВОЙ ДИСПЛЕЙ



- A - экран
- B - индикация напряжения
- C - индикация частоты
- D - индикация времени работы
- E - индикация низкого уровня масла
- F - кнопка выбора

5. Ввод в эксплуатацию

Проверка уровня масла

- Перед проверкой уровня масла убедитесь, что генератор выключен и устойчиво стоит на ровной поверхности.
- Снимите крышку масляного бака и проверьте уровень масла. Крышка масляного бака снабжена измерительным стержнем.
- Если уровень масла ниже min отметки, долейте масла до верхней отметки. При проверке уровня масла не заворачивайте крышку топливного бака.
- Смените масло если оно стало грязным.



Один вид масла	5W
	10W
Несколько видов масла	20W
	#20
	#30
Температура окружающей среды	#40
	10W-30
	10W-40
	-20 -10 0 10 20 30 40°C

Проверка уровня топлива

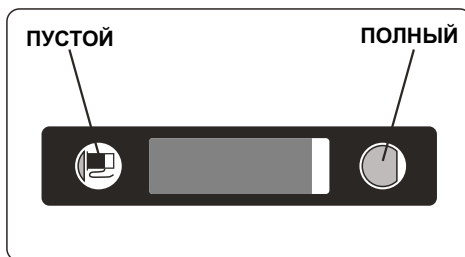
ВНИМАНИЕ!

- Не заправляйте электростанцию вблизи источников открытого огня.
- Не курите во время заправки электростанции.
- Не заправляйте бензобак, если электростанция работает или еще не остыла.
- Не допускайте попадания в бензобак пыли, грязи, воды и т.п.
- Закройте топливный кран перед заправкой.
- При протечке, тщательно уберите разлитый бензин перед запуском электростанции.



- Проверьте уровень топлива на указателе уровня.
- Если уровень топлива низкий, залейте неэтилированный бензин (марки А-92).
- При заправке электростанции убедитесь, что с топливным фильтром все в порядке.

Вместимость топливного бака 15 л.



Проверка электростанции перед запуском

Перед запуском проверьте следующие детали:

- топливный шланг не должен иметь протечек.
- болты и шайбы должны быть затянуты.
- все детали электростанции не имеют повреждений.

Проверка места эксплуатации

ВНИМАНИЕ!

Убедитесь, что все меры предосторожности предприняты во избежание опасности возгорания.

- в зоне нахождения электростанции не должно быть легковоспламеняющихся материалов и веществ.
- электростанция должна быть установлена на расстоянии как минимум 1 метра от зданий и других объектов.
- эксплуатировать электростанцию можно только в сухом, хорошо проветриваемом месте.
- в выхлопной трубе электростанции не должно быть посторонних объектов.
- электростанция должна размещаться на ровной, твердой поверхности.
- вентилятор электростанции не должен быть закрыт бумагой или другими материалами.
- электростанция должна находиться вдали от источников открытого огня.

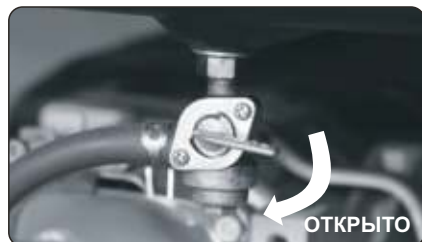
6. Эксплуатация электростанции

Запуск

(а) Установите выключатель двигателя электростанции в положение «ВКЛ».



(b) Откройте топливный кран.



(c) Установите рычаг воздушной заслонки в положение «ЗАКРЫТО» (только при холодном двигателе).



(d) Медленно потяните ручку стартера до точки сопротивления. Затем верните ручку в начальное положение и быстро потяните на себя. Не вытягивайте канат до конца. После запуска, все еще удерживая ручку, дайте стартеру принять изначальное положение.

Если двигатель не заведется после нескольких попыток, повторите процедуру запуска, установив рычаг в положение «ОТКРЫТО».



(e) После запуска двигателя, плавно верните рычаг дроссельной заслонки в положение «ОТКРЫТО».



(f) Прогрейте двигатель несколько минут без нагрузки.

Подключение электропотребителей

(a) С помощью вольтметра или контрольной лампы проверьте напряжение. Если электростанция не выдает напряжения, указанного в спецификации, проконсультируйтесь с ближайшим дилером FUBAG.

(b) Выключите все электрические потребители перед подключением к электростанции.

(c) Вставьте вилку электрического потребителя в розетку электростанции и поверните ее по часовой стрелке для блокировки. Убедитесь в том, что сумма мощности всех потребителей не превышает номинальной мощности электростанции.

ВНИМАНИЕ:

- если подключаемые потребители заземлены, то обязательно заземлите электростанцию.

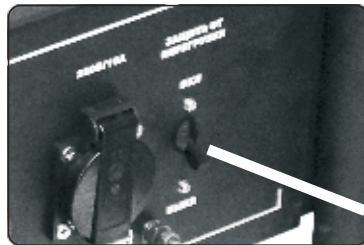
- вставьте вилку потребителя в розетку электростанции и поверните ее по часовой стрелке для блокировки.

Примечание:

Если во время работы электростанции срабатывает защита от перегрузки, то это значит, что электростанция перегружена или потребитель неисправен.

Незамедлительно выключите электростанцию, проверьте потребитель и/или электростанцию.

(d) Проверьте положение выключателя защиты от перегрузки (должен быть в положении «ВКЛ»). При необходимости переведите выключатель в положение «ВКЛ».



Остановка электростанции

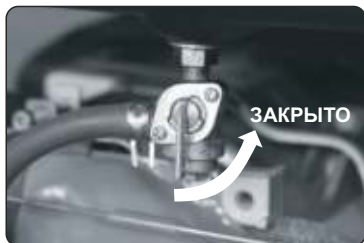
(a) Отключите питание приборов или выньте вилку потребителя из розетки электростанции.

(b) Перед остановкой дайте двигателю остыть в течение 3 минут без нагрузки.

(c) Установите выключатель в положение «ВЫКЛ».



(d) Закройте топливный кран.



Масляный датчик

- масляный датчик определяет падение уровня масла в баке и автоматически останавливает двигатель, если уровень масла ниже безопасного.

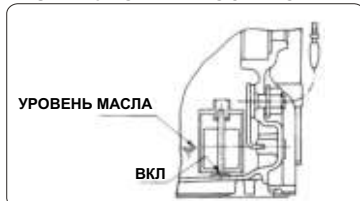
- если двигатель автоматически остановился, проверьте уровень масла.

- если двигатель не заводится, проверьте уровень масла.

НОРМАЛЬНЫЙ УРОВЕНЬ - РАБОТА



НИЗКИЙ УРОВЕНЬ - ОСТАНОВКА



Подготовка и эксплуатация в зимнее время

Зимним периодом эксплуатации считается такой период, когда температура окружающего воздуха устанавливается ниже +5°C. Низкая температура окружающего воздуха затрудняет пуск двигателя, оказывает отрицательное влияние на работу всех его систем. Для подготовки генератора и дальнейшей безаварийной его эксплуатации необходимо провести ряд мероприятий:

- Выработать полностью старое топливо, остатки его слить через дренажное отверстие в нижней части поплавковой камеры карбюратора.
- Произвести очистку фильтра топливного крана.
- Проверить свечу зажигания, если имеются повреждения, либо на керамической корпусе наружной части есть коричневый налет, необходимо заменить свечу.
- Проверить воздушный фильтр, при необходимости заменить его.
- Заменить моторное масло на соответствующее сезону.
- В топливный бак залить отстоянный бензин во избежание попадания и дальнейшего замерзания воды в топливном баке и карбюраторе.

В зимнее время генератор должен храниться в помещении с температурой от +5°C и выше. Если во время работы при отрицательных температурах производится остановка двигателя более чем на 15 минут, то перед запуском необходимо поместить установку в теплое место для предотвращения замерзания конденсата в трубке сапуна и в дроссельной заслонке. Это может привести к повышению давления в картере и выходу из строя сальников. Контроль за работой генераторной установки в этот период должен осуществляться чаще обычного, так как условия эксплуатации являются тяжелыми.

7. Техническое обслуживание

График техобслуживания

Периодичность	Процедура
Ежедневно	<ul style="list-style-type: none"> - проверка воздушного фильтра - проверка уровня масла и долив масла до верхней отметки перед запуском - стандартная проверка перед запуском
Каждые 50 часов или еженедельно	<ul style="list-style-type: none"> - прочистка и промывка воздушного фильтра (при эксплуатации в пыльных или загрязненных условиях – чаще) - замена моторного масла (первая замена масла – после первой эксплуатации) - проверка свечей зажигания, прочистка и регулировка по необходимости - проверка и прочистка отсечного клапана
Каждые 100 часов	<ul style="list-style-type: none"> - замена свечей зажигания - замена воздушного фильтра - очистка от нагара головок цилиндров, клапанов и поршней - проверка и замена угольных щеток
Каждые 300 часов или каждый год	<ul style="list-style-type: none"> - проверка компонентов контрольной панели - проверка ротора и стартера
Каждые 3 года	<ul style="list-style-type: none"> - замена резиновых опор двигателя - ревизия двигателя - замена топливных шлангов

Примечание:

Первичная замена масла должна быть проведена после первых 25 часов использования электростанции. Далее меняйте масло через каждые 50 часов. Перед заменой масла, подготовьте тару для слива отработанного масла. Не сливайте масло в канализацию или на землю.

Процедуры, выделенные жирным шрифтом, требуют специальной подготовки и должны проводиться специалистами официальных сервисных центров.

Обслуживание

Обслуживание должно проводиться только квалифицированным сервисным персоналом. Все работы по обслуживанию должны проводиться в соответствии с инструкцией по эксплуатации и обслуживанию.

Рекомендуется проводить сервисное обслуживание в авторизованных сервисных центрах.

Проверка электробезопасности

На электробезопасность генераторы должны быть проверены сертифицированными специалистами-электриками.

Замена моторного масла

Меняйте масло каждые 50 часов (в новом двигателе замените масло через 25 часов).

При замене масла двигатель должен быть теплым.

(a) Снимите спускную пробку, снимите крышку масляного бака и слейте отработанное масло.



(b) Установите на место спускную пробку и залейте масло до верхней отметки по уровню крышки масляного бака.



Используйте только качественное и свежее масло, подходящее для данной модели двигателя.

При использовании загрязненного или неподходящего масла срок службы двигателя значительно снижается.

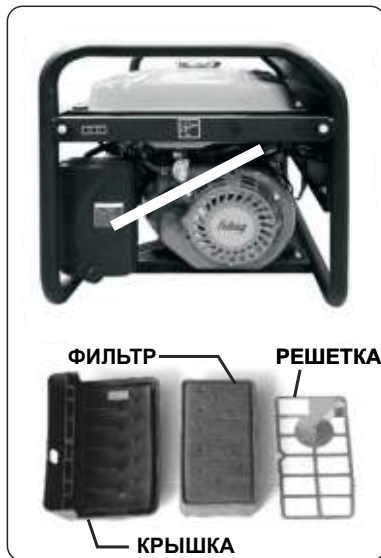
Обслуживание воздушного фильтра

Крайне важно поддерживать воздушный фильтр в должном состоянии. При неправильной установке, обслуживании или использовании неподходящего фильтра, в двигатель проникает пыль и грязь, что повреждает и изнашивает двигатель. Следите за тем, чтобы фильтр был чистым.

(а) Снимите воздушный фильтр, открутив винт, тщательно прочистите его керосином и высушите.

(b) Установите элемент фильтра между решеткой и крышкой фильтра.

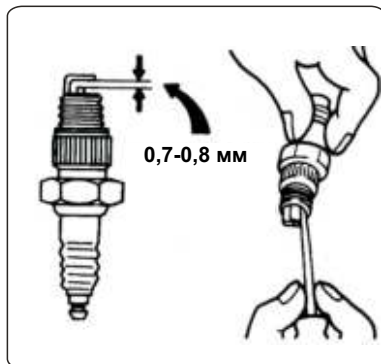
(с) Чистый и сухой собранный фильтр плотно установите на место.



Прочистка и регулировка свечей зажигания

(а) Если свеча зажигания загрязнена, прочистите ее средством для очистки свечей зажигания и проволоочной щеткой.

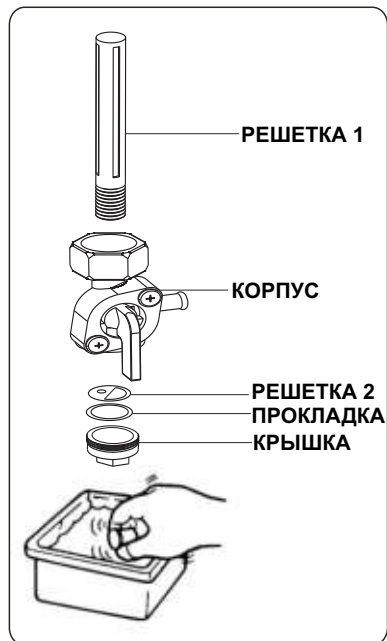
(b) Отрегулируйте межэлектродный зазор в диапазоне 0,7-0,8 мм.



Очистка топливного фильтра

Топливный фильтр препятствует попаданию в бак двигателя грязи и инородных частиц и увеличивает качество работы и срок службы электростанции.

- (а) Снимите крышку топливного фильтра и очистите его от воды и грязи.
- (б) Очистите решетку и крышку топливного фильтра бензином.
- (в) Плотно соедините части фильтра.



8. Консервация

Если вы не собираетесь использовать электростанцию в течение 3 месяцев или дольше, то ее необходимо законсервировать:

- Слейте топливо из топливного бака. Оставшееся в баке топливо портится и затрудняет последующий пуск двигателя.
- Освободите дренажный болт внизу топливной камеры карбюратора и полностью слейте топливо.
- Замените моторное масло
- Проверьте и подтяните все болты и шурупы.
- Тщательно промасленной материей очистите электростанцию. Никогда не используйте воду для очистки.
- Потяните ручку стартера до точки сопротивления и оставьте ручку в этом положении.
- Храните электростанцию в хорошо проветриваемом помещении с низким уровнем влажности.



9. Неисправности и их устранение

Если двигатель не заводится после нескольких попыток или если электростанция не генерирует электричество, сверьтесь с таблицей, приведенной ниже.

Если электростанция все еще не заводится или не генерирует электричество обратитесь в ближайший авторизованный сервисный центр FUBAG.

Если электростанция не заводится	
Проверьте, в правильном ли положении находится рычаг дросселя	Установите рычаг дросселя в правильное положение «ЗАКРЫТО»
Проверьте, открыт ли топливный кран	Если закрыт, откройте
Проверьте уровень топлива	Если недостаточно, заправьте бак, но не переливайте
Проверьте, не подключен ли к электростанции какой-нибудь потребитель	Если подключен, выключите питание на потребителе и отсоедините его от электростанции
Проверьте, не загрязнена ли свеча зажигания	Снимите свечу зажигания и очистите электроды
Если в розетке электростанции нет напряжения	
Убедитесь, что выключатели находятся в положении «ВКЛ»	Когда убедитесь, что суммарное напряжение всех электрических потребителей находится в пределах допустимого лимита; что все подключенные потребители исправны, переведите выключатель электростанции в положение «ВКЛ». Если предохранитель все равно срабатывает, обратитесь в сервисный центр
Проверьте, клеммы: не должно быть неплотных соединений	Подтяните клеммы при необходимости
Проверьте, не была ли попытка завести электростанцию при заранее подключенных к нему потребителей	Выключите потребитель и отсоедините от розетки электростанции. Потребитель может быть подключен после запуска электростанции.

10. Гарантийные обязательства

Гарантийный срок на оборудование указывается в прилагаемом сервисном талоне.

Гарантия относится к дефектам в материалах и узлах и не распространяется на компоненты, подверженные естественному износу и работы по техническому обслуживанию.

Гарантийному ремонту подлежат только очищенные от пыли и грязи аппараты в заводской упаковке, полностью укомплектованные, имеющие инструкцию по эксплуатации, гарантийный талон с указанием даты продажи, при наличии штампа магазина, заводского номера и оригиналов товарного и кассового чеков, выданных продавцом.

В течение гарантийного срока Сервисный центр устраняет за свой счёт выявленные производственные дефекты. Производитель снимает свои гарантийные обязательства и юридическую ответственность при несоблюдении потребителем инструкций по эксплуатации, самостоятельной разборки, ремонта и технического обслуживания аппарата, а также не несет никакой ответственности за причиненные травмы и нанесенный ущерб.

Момент начала действия гарантии определяется кассовым чеком или квитанцией, полученными при покупке. Сохраните эти документы.

Гарантийные обязательства не распространяются на части, подлежащие естественному износу, на случаи несоблюдения указаний руководства по эксплуатации, на повреждения вследствие некавалифицированного обращения, подключения, обслуживания или установки, а также на повреждения со стороны внешних факторов.

Заменённые электростанции и детали переходят в собственность фирмы продавца.

Претензии на возмещение убытков исключаются, если они не вызваны умышленными действиями или небрежностью производителя. Право на гарантийный ремонт не является основанием для других претензий.

Электростанция не подлежит гарантийному обслуживанию в следующих случаях:

- Вскрытие (попытка вскрытия) или ремонта электростанции самим пользователем или не уполномоченными на это лицами.
- При поступлении электростанции в разобранном виде.
- В случае нарушения требований и правил руководства по эксплуатации электростанции и мотора (например, использование некачественного масла и/или бензина); к безусловным признакам данного рода неисправности относятся залегание (завальцовывание) поршневых колец и образования нагара на клапанах.
- При поврежденной пломбы на регуляторе оборотов мотора.
- При использовании принадлежностей, не предусмотренных производителем.
- При любых, письменно не авторизованных производителем, изменениях или модификациях на электростанции или на отдельных ее компонентах.
- В случае наличия инородных материалов внутри электростанции или мотора.
- Если забиты вентиляционные отверстия генератора и/или мотора грязью (например, установка внутри помещения без достаточной вентиляции и/или без отвода выхлопных газов наружу).
- Если охлаждающие ребра генератора и/или мотора загрязнены.
- При обнаружении следов заклинивания и перегрузки (например, одновременное перегорание ротора и статора генератора, всех обмоток статора, всасывание абразивов в мотор, недостаточная смазка мотора, перегрев мотора, превышение оборотов мотора, использование некачественного масла для смазки, несоблюдение интервалов замены масла и т. д.)
- При повреждении электростанции вследствие неправильной транспортировки и/или хранения, механических повреждений корпуса генератора и/или мотора.
- В случае появления ржавчины, следов химического воздействия снаружи и/или внутри компонентов электростанции.
- При использовании не по назначению, например при использовании бытовых моделях в производственных или иных целях, связанных с извлечением прибыли.
- При неправильно заполненном или измененном сервисном талоне.

Предметом гарантии не является неполная комплектация изделия, которая могла быть обнаружена при продаже электростанции.

Претензии от третьих лиц не принимаются. Электростанций принимаются в гарантийный ремонт только в чистом виде.

Условия гарантии не предусматривают чистку изделия.