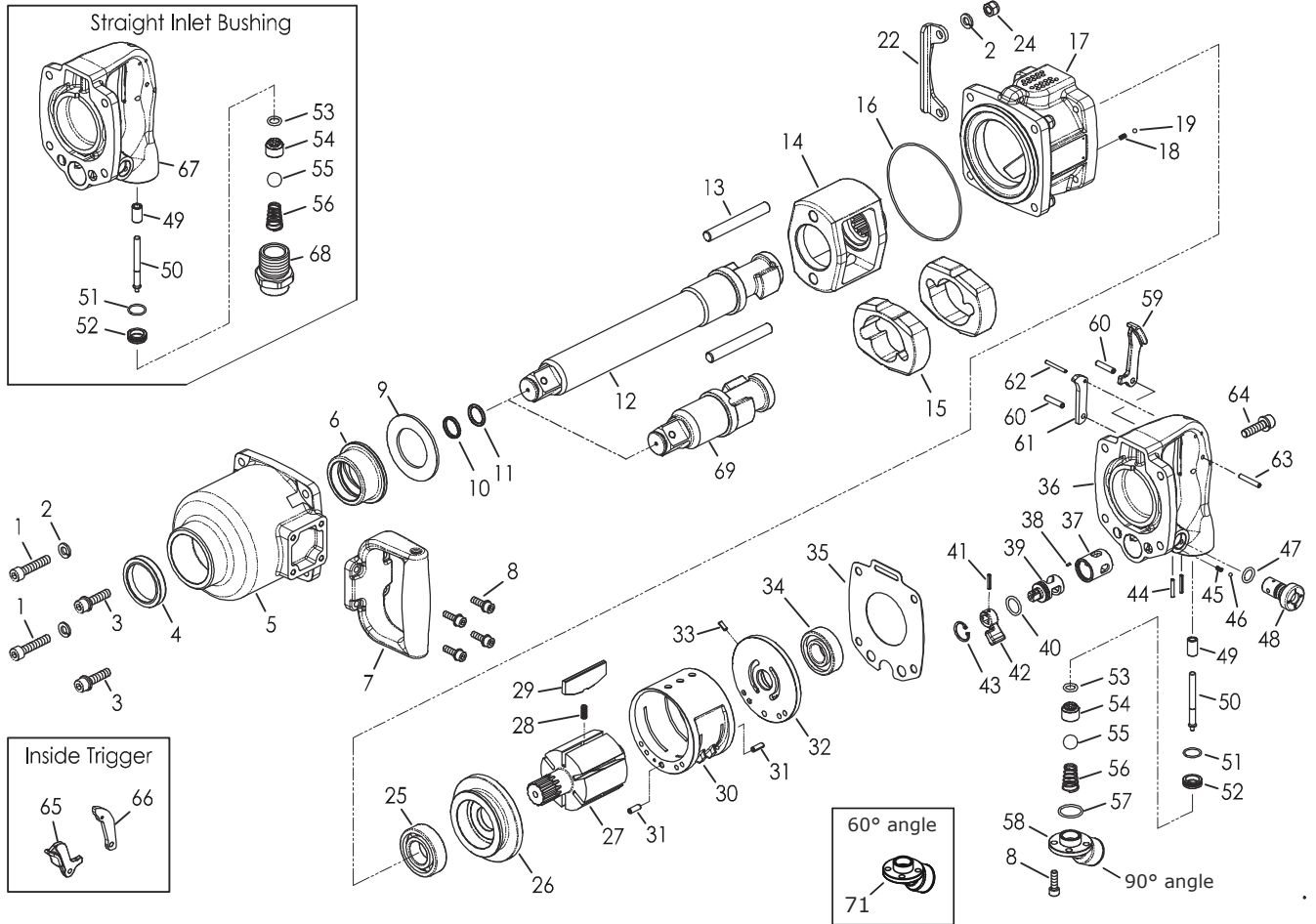


Technical Details	Speed	Square Drive	Max. Torque	Length	Weight	Air Consumption	Air Inlet	Noise (DB)	Uncertainty(DB)	Vibration	Working Pressure
	RPM		Nm/ft-lb	mm/inch	kg/lb	LPM / CFM	inch	LpA LwA	KpA KWA	m/s ²	Bar / PSI
282 I 2	4,800	I (Standard)	3,525 (2,600)	370 (14.6)	11 (24.2)	450 (16)	1/2	91.8 102.8	3	12.32	6.2 (90)
282 I 2L		I (8 Long)		570 (224)	125 (27.5)						



* Due to our continuous improvement, all specifications are subject to change without prior notice.

Index No.	Description	Quantity	Index No.	Description	Quantity	Index No.	Description	Quantity
01	Screw	2	27	Rotor	1	50	Valve Tappet	1
02	Spring Washer	6	28	Spring	6	51	O-Ring	1
03	Screw w/ Washer	2	29	Rotor Blade	6	52	Throttle Bushing	1
04	Seal	1	30	Cylinder	1	53	O-Ring	1
05	Hammer Case	1	31	Spring Pin	2	54	Valve Stem	1
06	Anvil Bushing	1	32	Rear End Plate	1	55	Nylon Ball	1
07	Side Spade Handle	1	33	Spring Pin	1	56	Spring	1
08	Screw w/ Washer	8	34	Ball Bearing	1	57	O-Ring	1
09	Hammer Washer	1	35	Gasket	1	58	Angle Inlet Bushing	1
10	Socket Retainer	1	36	Trigger Handle (for Angle Inlet)	1	59	Outside Trigger	1
11	O-Ring	1	37	Bushing	1	60	Spring Pin	2
12	Anvil (8")	1	38	Pin	1	61	Plug (for Outside Trigger)	1
13	Hammer Pin	2	39	Reverse Valve	1	62	Spring Pin	1
14	Hammer cage	1	40	O-Ring	1	63	Spring Pin	1
15	Hammer Dog	2	41	Spring Pin	1	64	Screw w/Washer	4
16	O-Ring	1	42	Reverse Valve	1	65	Inside Trigger	1
17	Motor Housing Assembly	1	43	Snap Ring	1	66	Plug (for Inside Trigger)	1
18	Spring	1	44	Spring Pin	2	67	Trigger Handle (for Straight Inlet)	1
19	Steel Ball	1	45	Spring	1	68	Straight Inlet Bushing	1
22	Housing Protector	1	46	Steel Ball	1	69	Anvil (Standard)	1
24	Lock Nut	4	47	O-Ring	1	71	60° Angle Inlet Bushing	1
25	Ball Bearing	1	48	Air Regulator	1			
26	Front End Plate	1	49	Bushing	1			

* Parts #12 or #69 needs to be assembled along with #10 & #11 (#10 & #11 can be individual purchasing)

* Parts #05 needs to be assembled along with #04 & #06 (#04 & #06 can be individual purchasing)